

FB

for three phase alternating current, 4-4 pole

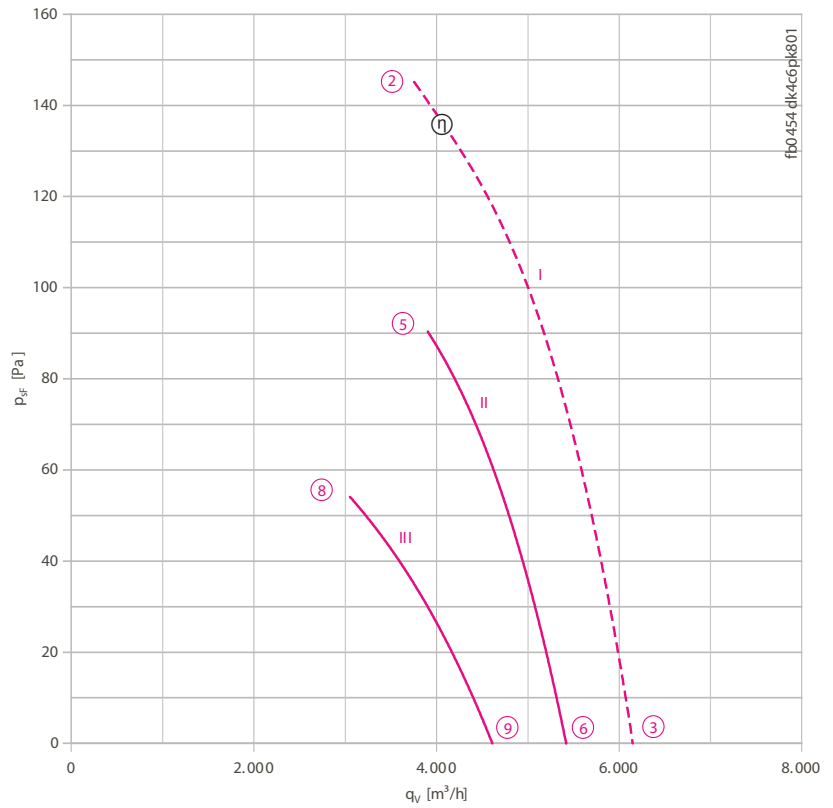
FBO45-VD



Description

Motor technology: AC
 Rated voltage U_N : 3- 400 V (Δ/Y) ± 10 %*
 Rated frequency f_N : 50 Hz*
 Motor input power P_1 : 0.45/0.34 kW*
 Rated current I_N : 0.81/0.55 A*
 Rated speed n_N : 1360/1040 min⁻¹*
 Starting current I_A : 3.00 A / 1.00 A
 Current increase ΔI : 20 %
 Thermal class: THCL155*
 Min. permitted conveyor temperature $t_{R(min)}$: -40 °C
 Max. permitted conveyor temperature $t_{R(max)}$: 60 °C
 Electrical connection: Terminal box
 Number of blades: 4
 Protection class: IP54
 Motor protection: Thermal contact
 Blades: Aluminium, uncoated
 Rotor: Aluminium, uncoated
 Conformity: ErP 2015, CE
ErP Data
 Efficiency η_{statA} : 31.4 %
 Efficiency: $N_{actual} = 40.1 / N_{target} = 40$ **
 * Rated data
 **ErP 2015

Characteristic curve

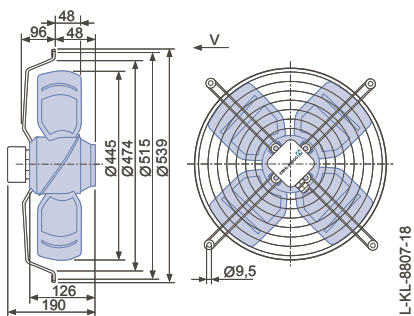


I) Measured in full bell mouth without guard grille in installation type A according to ISO 5801.
 II-x) Measured in short-bell mouth with compressed side contact protection.

- Connection diagram 1360-108XA Page 608
- System components Page 524

Dimensions [mm]

← Airflow direction V
 Design K - axial bolted, mounted for short bell mouth E



Performance data


Type	Connection	Characteristic curve	Voltage	Operating point	Current	Motor input power	Speed	Suction side sound power level	Max. permitted media temperature
			U [V]						
FB045-VD_4C.V4P	Δ	I	400*	②	0.81*	450*	1360*		60
			400	③	0.60	300	1400	79	70
			400	⑤	0.69	380	1370	75	
	Y	III	400	⑥	0.60	300	1400	74	
			400	⑧	0.48	280	1070	69	
			400	⑨	0.41	250	1180	70	

*rated data

Fan ordering information



Design K



Type **FB045-VDK.4C.V4P**
Article no. **210540**

Weight [kg] 7.70

Control technology

<p>Frequency inverter Fcontrol 3~</p>  <p>➤ Page 558</p>	<p>Motor protection units 3~</p>  <p>➤ Page 596</p>	<p>Transformer-based controllers 3~</p>  <p>➤ Page 591</p>	<p>Electronic voltage controllers 3~</p>  <p>➤ Page 578</p>
---	--	---	--



Information

FE2owlet
ECblue

FE2owlet

FB

FC

System
components

Control
technology

Appendix